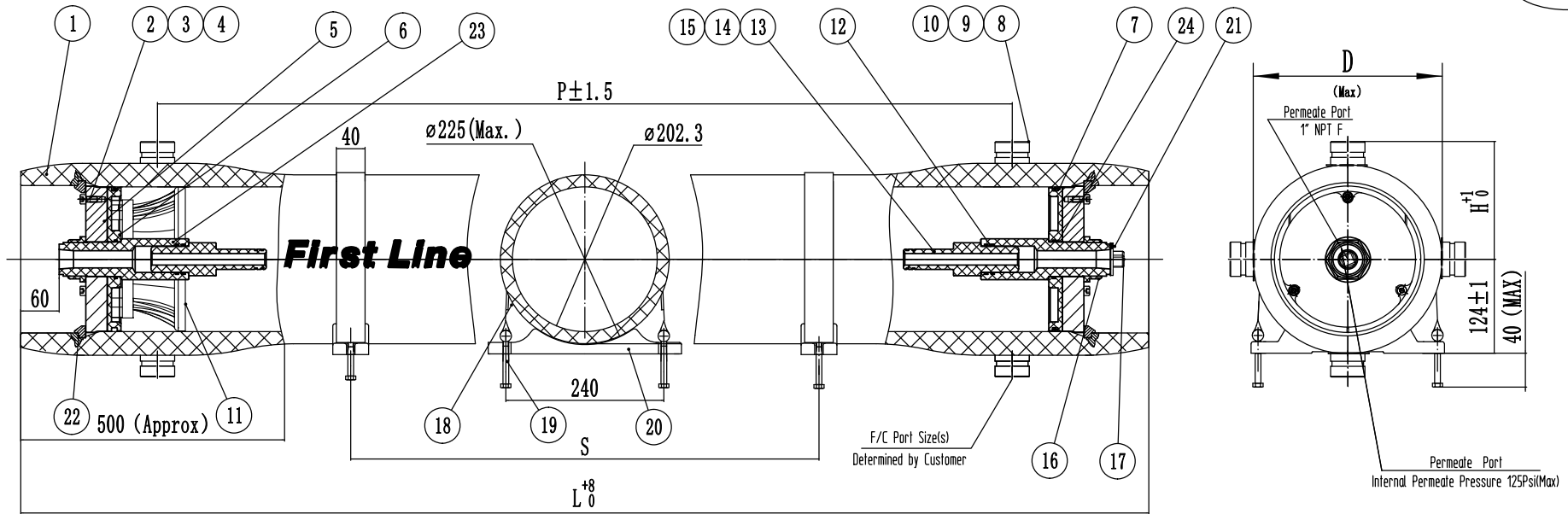


1200PSI



Note

1. Design pressure: 1200PSI (83Bar)
2. Design temperature: 150° F (66° C)
3. Minimum temperature: 14° F (-10° C)
4. Working medium: Water, PH 3-11
5. Please operate in accordance with User Guide
6. Flexible piping should be used on permeate connection to manifold
7. Side port misalignment can not exceed 0.7mm in any direction
8. Subject to change without prior notice

24	O-Ring	20000318	2	EPDM	47.5x3.55
23	Permeate Part	20002270	2	ABS	
22	Embedded Ring	30200026	2	316LSST	
21	O-Ring	20000314	1	EPDM	36.5x3.55
20	Saddle	20000002	2-3	Rubber	
19	Strap Screw	20000198	4-6	304SST	M8*90
18	Strap	20000188	2-3	304SST-Rubber	
17	Plug	20000073	1	ABS	
16	nul	20000698	2	ABS	
15	O-Ring	20000316	4	EPDM	23.6x2.65
14	Adapler	20002250	2	ABS	
13	Adapter Pad	20000020	2-10	ABS	
12	O-Ring	20000314	4	EPDM	36.5x3.55
11	Thrust Ring	20000418	1	ABS	
10	O-Ring	See Selection Table	4-8	EPDM	
9	Retaining Ring	See Selection Table	2-4	304SST	
8	Feed/Conc. Part	See Selection Table	2-4	2507SST	
7	O-Ring	20001074	2	EPDM	187x7
6	Sealing Plate	20001809	2	ABS	
5	Bearing Plate	20000400	2	Aluminium Alloy	
4	Locking Kit Segment	20000008 09	10	6	316LSST
3	Spring Pad	20000197	6	304SST	ø8
2	Locking Segment Screw	20000196	6	304SST	M8x20
1	Pressure Shell	See Selection Table	1	Epoxy FRP	White
Ref.	Description	Part Number	Qty.	Material	Remark

Description	Part Number	Size	D (MM)	H (MM)	Remark
Feed/Conc.Part	20000524	1.5"	264	161	
	20000477	2"	264	164	
	20000478	2.5"	271	166	
	20001588	3"	305	187	
	20000615	1.5"			41.2x3.55
O-Ring	20000616	2"			53x3.55
	20000617	2.5"			69x3.55
	20000455	3"			82.5x3.55
	20000383	1.5"			
Retaining Ring	20000384	2"			
	20000385	2.5"			
	20000387	3"			

Ref.	Part Number	L (MM)	P (MM)	S (MM)	Approx assembly weight (KG)
1	F80120S-1	1582	1143	580	65
2	F80120S-2	2598	2159	1350	81
3	F80120S-3	3614	3175	2080	97
4	F80120S-4	4630	4191	1600x2	113
5	F80120S-5	5646	5207	2000x2	129
6	F80120S-6	6662	6223	2360x2	140
7	F80120S-7	7678	7239	2860x2	162
8	F80120S-8	8694	8255	3370x2	184

Harbin FirstLine Environment Technology Co.,Ltd.

First Line	Design	Model
	Date	F80-1200S Pressure Vessel
	Review	
	Date	
	Review	DRG
	Date	F80-120-S-00-01
Review		
Date		
Approval	Unit	REV.
Date	mm	2023