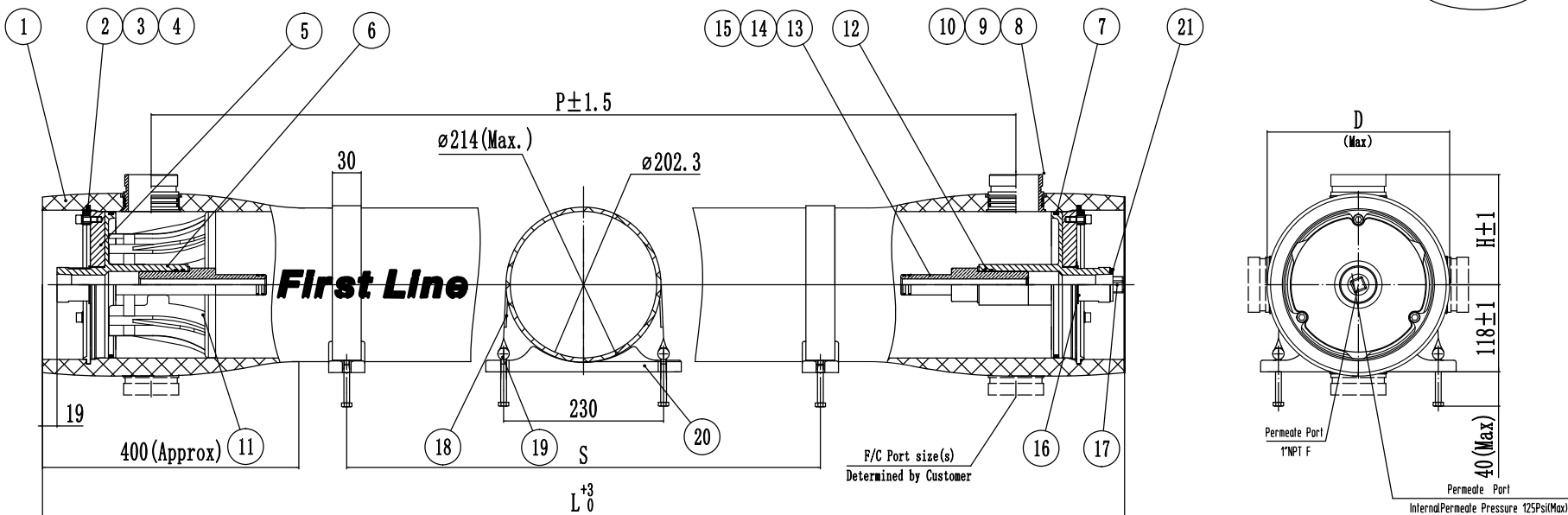


450PSI



Note:

1. Design pressure: 450PSI (31.5Bar)
2. Design temperature: 150° F (66° C)
3. Minimum temperature: 14° F (-10° C)
4. Working medium: Water, PH 3-11
5. Please operate in accordance with User Guide
6. Flexible piping should be used on permeate connection to mainfold
7. Side port misalignment can not exceed 0.7mm in any direction
8. Subject to change without prior notice

Ref.	Description	Part Number	Qty.	Material	Remark
21	O-Ring	20000314	1	EPDM	36.5x3.55
20	Saddle	20000001	2-3	Rubber	
19	Strap Screw	20000198	4-6	304SST	M8*90
18	Strap	20000186	2-3	304SST-Rubber	
17	Plug	20000073	1	ABS	
16	Retaining Ring	20000383	2	304SST	
15	O-Ring	20000316	4	EPDM	23.6x2.65
14	Adapter	20000364	2	ABS	
13	Adapter Pad	20000020	2-6	ABS	
12	O-Ring	20000314	4	EPDM	36.5x3.55
11	Thrust Ring	20000418	1	ABS	
10	O-Ring	See SelectionTable	2-8	EPDM	
9	Retaining Ring	See SelectionTable	2-8	304SST	
8	Feed/Conc. Port	See SelectionTable	2-8	316L SST	
7	O-Ring	20000901	2	EPDM	187x7
6	Sealing Plate	20002334	2	ABS	
5	Bearing Plate	20000398	2	Aluminium Alloy	
4	Locking Kit Segment	20000006	6	304SST	
3	Spring Pad	20000197	6	304SST	φ8
2	Locking Segment Screw	20000196	6	304SST	M8x20
1	Pressure Shell	See SelectionTable	1	Epoxy FRP	White

Description	Part Number	Size	D (MM)	H (MM)	Remark
Feed/Conc.Port	20000460	1.5"	244	148	
	20000461	2"	244	151	
	20000462	2.5"	249	153	
O-Ring	20000615	1.5"			412x3.55
	20000616	2"			53x3.55
	20000617	2.5"			69x3.55
	20000383	1.5"			
Retaining Ring	20000384	2"			
	20000385	2.5"			

Ref.	Part Number	L (MM)	P (MM)	S (MM)	Approx assembly (KG)
1	F8045S-1	1494	1194	580	28
2	F8045S-2	2510	2210	1350	36
3	F8045S-3	3526	3226	2080	42
4	F8045S-4	4542	4242	1600x2	48
5	F8045S-5	5558	5258	2000x2	54
6	F8045S-6	6574	6274	2360x2	60
7	F8045S-7	7590	7290	2860x2	66
8	F8045S-8	8606	8306	3370x2	72

Harbin FirstLine Environment Technology Co.,Ltd.

First Line	Design	Model	
	Date	F80-450S Pressure Vessel	
	Review		
	Date	DRG	
	Review		
	Date	F80-450-S-00-01	
Approval	Unit	REV.	
Date	mm	2023	