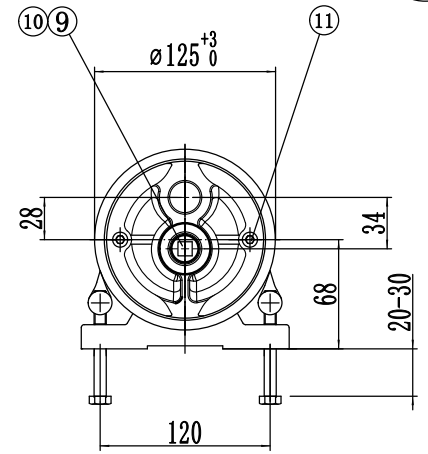
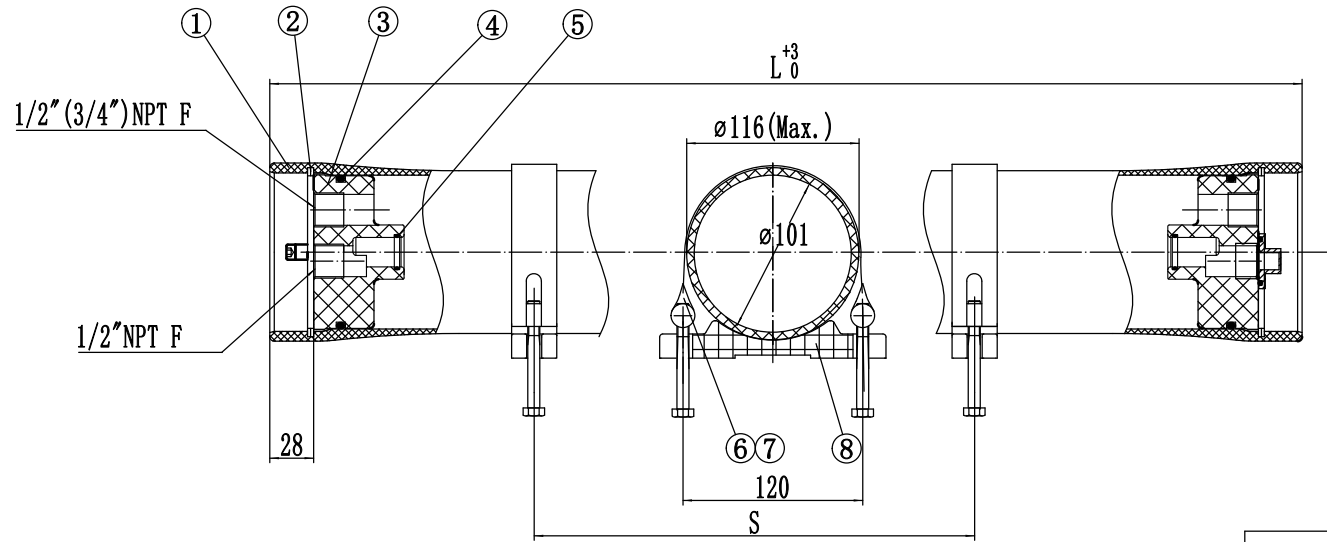


450PSI

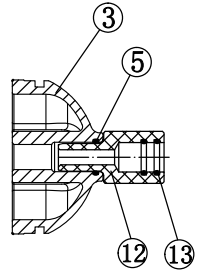


Ref.	Part Number	L (MM)	S (MM)	Approx assembly weight (KG)
1	F4045E-1	1152	600	5.55
2	F4045E-2	2168	1200	7.95
3	F4045E-3	3184	2200	10.35
4	F4045E-4	4280	1600x2	12.75
5	F4045E-5	5296	2300x2	15.15
6	F4045E-6	6312	2700x2	17.55

Note

1. Design pressure: 450PSI (31Bar)
2. Design temperature: 150° F (66° C)
3. Minimum temperature: 14° F (-10° C)
4. Working medium: Water, PH 3-11
5. Please operate in accordance with User Guide
6. Flexible piping should be used on permeate connection to manifold
7. Subject to change without prior notice

13	O-Ring	20000320	4	EPDM	19*2.65
12	Adapler	20000371	2	ABS	
11	Locking Crescent Screw	20000205	4	304SST	M6*10
10	O-Ring	20000321	4	EPDM	23.6*3.55
9	Plug	20000075	1	ABS	
8	Saddle	20000003	2~3	Rubber	
7	Strap Screw	20000200	4~6	304SST	M8*70
6	Strap	20000190	2~3	304SST-Rubber	
5	O-Ring	20000320	2	EPDM	19*2.65
4	O-Ring	20000319	2	EPDM	90*5.3
3	End Plate	20000027	2	ABS	Optional: 1/2"*3/4"
		20000025			Standard: 1/2"*1/2"
2	Locking Crescent	20001081	4	304SST	
1	Pressure Shell	See Selection Table	1	Epoxy FRP	White
Ref.	Description	Part Number	Qty.	Material	Remark



* Parts 12 and 13 are used for 4 to 6 elements vessel only

Harbin FirstLine Environment Technology Co., Ltd.

First Line	Design	Model	
	Date	F40-450E Pressure Vessel	
	Review	DRG	
	Date	F40-45-E-00-01	
	Review	Unit	REV.
	Date	mm	2023
Approval	Date		